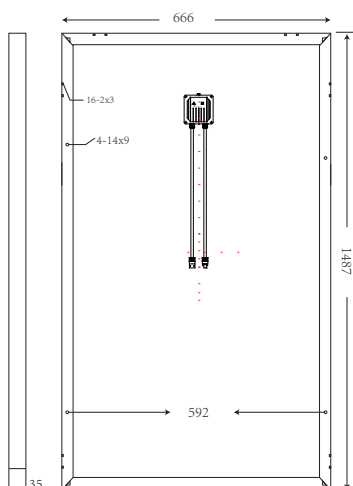
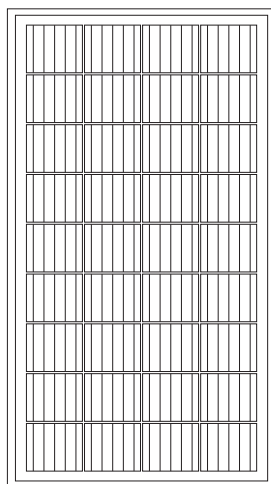
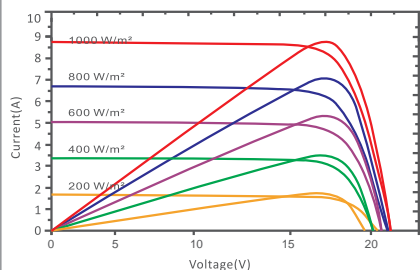


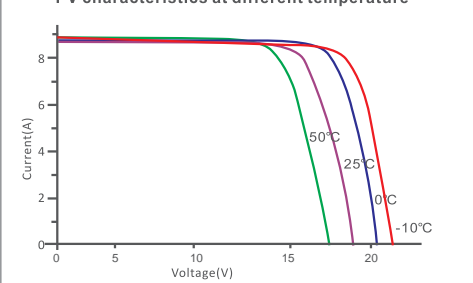
**Dimension of PV Modules** Unit: mm



**I-V characteristics at different irradiancies**



**I-V characteristics at different temperature**



**ELECTRICAL DATA(STC)**

| Rated Power in Watts-Pmax(Wp) | 150W   | 155W   | 160W   | 165W   | 170W   |
|-------------------------------|--------|--------|--------|--------|--------|
| Open Circuit Voltage-Voc(V)   | 22.59V | 23.15V | 23.59V | 23.8V  | 24.31V |
| Short Circuit Current-Isc(A)  | 8.73A  | 8.82A  | 8.93A  | 9.12A  | 9.20A  |
| Maximum Power Voltage-Vmp(V)  | 18.21V | 18.64V | 19.01V | 19.19V | 19.59V |
| Maximum Power Current-Imp(A)  | 8.24A  | 8.32A  | 8.42A  | 8.6A   | 8.68A  |
| Module Efficiency (%)         | 15.15% | 15.65% | 16.16% | 16.66% | 17.17% |

STC: Irradiance 1000 W/m<sup>2</sup>, Cell Temperature 25°C, Air Mass AM1.5 according to EN 60904-3.

**ELECTRICAL DATA(NOCT)**

|                               |        |        |        |        |        |
|-------------------------------|--------|--------|--------|--------|--------|
| Maximum Power-Pmax (Wp)       | 108W   | 112W   | 115W   | 120W   | 124W   |
| Open Circuit Voltage-Voc (V)  | 21V    | 21.51V | 21.92V | 22.13V | 22.37V |
| Short Circuit Current-Isc (A) | 6.98A  | 7.05A  | 7.14A  | 7.3A   | 7.34A  |
| Maximum Power Voltage-Vmp(V)  | 16.74V | 17.14V | 17.4V  | 17.88V | 18.10V |
| Maximum Power Current-Imp(A)  | 6.46A  | 6.54A  | 6.61A  | 6.77A  | 6.85A  |

NOCT: Irradiance at 800 W/m<sup>2</sup>, Ambient Temperature 20°C, Wind Speed 1 m/s.

**MECHANICAL DATA**

|                    |   |
|--------------------|---|
| Solar cells        | Poly-crystalline 156x156mm, 4 or 5 Bus bars |
| Cell configuration | 36 cells(4x9)                               |
| Module dimensions  | 1487x666x35mm                               |
| Weight             | 11.5KGS                                     |
| Front Cover        | 3.2mm Tempered Glass                        |
| Frame Material     | Anodized Aluminum Alloy                     |
| J-BOX              | IP65 or IP67, 6 Diodes                      |
| Cable              | 4mm <sup>2</sup> (IEC)/12AWG(UL),900mm      |
| Connectors         | MC4 or MC4 Comparable                       |
| Standard Packaging | 2pcs/carton box                             |

**TEMPERATURE & MAXIMUM RATINGS**

|   |                     |
|---|---------------------|
| Nominal Operating Cell Temperature (NOCT) | 45°C±2°C            |
| Temperature Coefficient of Voc            | -0.32%/°C           |
| Temperature Coefficient of Isc            | 0.05%/°C            |
| Temperature Coefficient of Pmax           | -0.39%/°C           |
| Operational Temperature                   | -40~+85°C           |
| Maximum System Voltage                    | 1000V(IEC)/600V(UL) |
| Max Series Fuse Rating                    | 12A                 |
| Limiting Reverse Current                  | 12A                 |

**PACKAGING CONFIGURATION**

|                                 | 40HQ                     | 20GP                     |
|---------------------------------|--------------------------|--------------------------|
| Number of modules per container | 1680pcs                  | 660pcs                   |
| Package                         | 2pcs/carton box          | 2pcs/carton box          |
| Package Weight                  | 23kg/carton box          | 23kg/carton box          |
| Package Number                  | 840carton boxes          | 330carton boxes          |
| Package Dimension               | 1500*700*80mm/carton box | 1500*700*80mm/carton box |



## RT6E-150-170P

**36 Cells**  
 Poly-crystalline

**150-170W**  
 Power output

**17.17%**  
 The Highest Efficiency

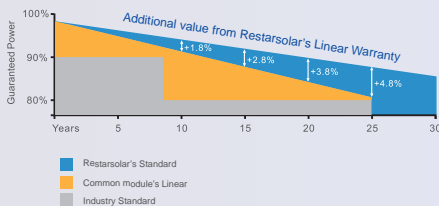
**0 ~ +5W**  
 Tolerance

WWW.RESTARSOLAR.COM

RT6E-150-170P is a robust solar module with 36 solar cells. These modules can be used for on-grid solar applications. Our meticulous design and production techniques ensure a high-yield, long-term performance for every module produced. Our rigorous quality control and in-house testing facilities guarantee Restar solar's modules meet the highest quality standards possible.



### 0.5% Annual Degradation over 30 years



**LINEAR PERFORMANCE WARRANTY**  
 12 year Product Warranty / 30 year Linear Power Warranty



High module conversion efficiency (up to 17.17%), through superior manufacturing technology



Guaranteed 0-+5W positive power output tolerance ensures high reliability



Anti-reflective, hydrophobic coating improves light absorption and reduces surface dust



Excellent performance under low light environments (mornings, evenings and cloudy days)



Suitable for harsh environments, such as coasts, deserts and lakes. Withstand high level of wind loads (2400pa) and snow loads (5400pa)

### Full range of products and certification systems

ISO 9001 TUV PID-FREE CE IEC61215/61730/61701/62716

